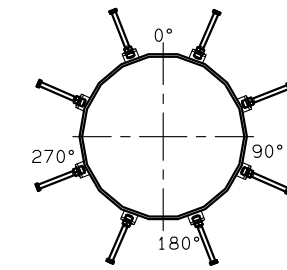


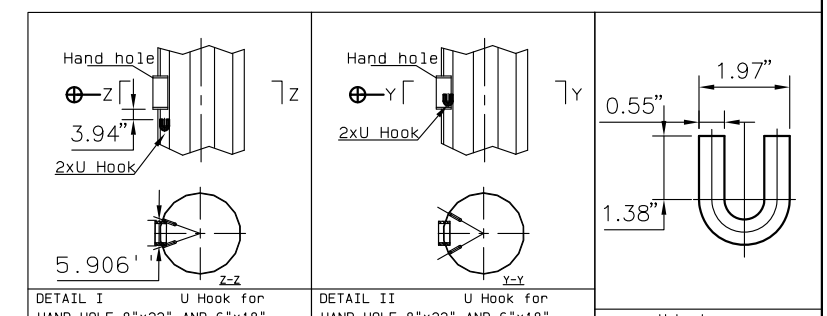
Tower Design Notes:

- Material:
Pole shaft: ASTM A572 GR65
Baseplate: GR50 or Q345B; Top Flange: Q235B
- Pole section has 18 sides
- Finished: Galvanizing per ASTM A123
Lightning Rod will be copper-clad
- All fasteners will be with metric unit according to Chinese standard GB 5783/5782.



Work Steps and Climbing System Detail

- Climbing System is centered at 40 Degrees -detail found on separate drawing.
- Working steps are placed ~55'-67' below the appurtenance access center. Extra step bolts are placed ~ 71' above working steps for convenience.
- Working steps (6~8) at the same elevation may not be evenly spaced.



1.U Hook use detail I as priority,if conflicts with slip joint, then use detail II.

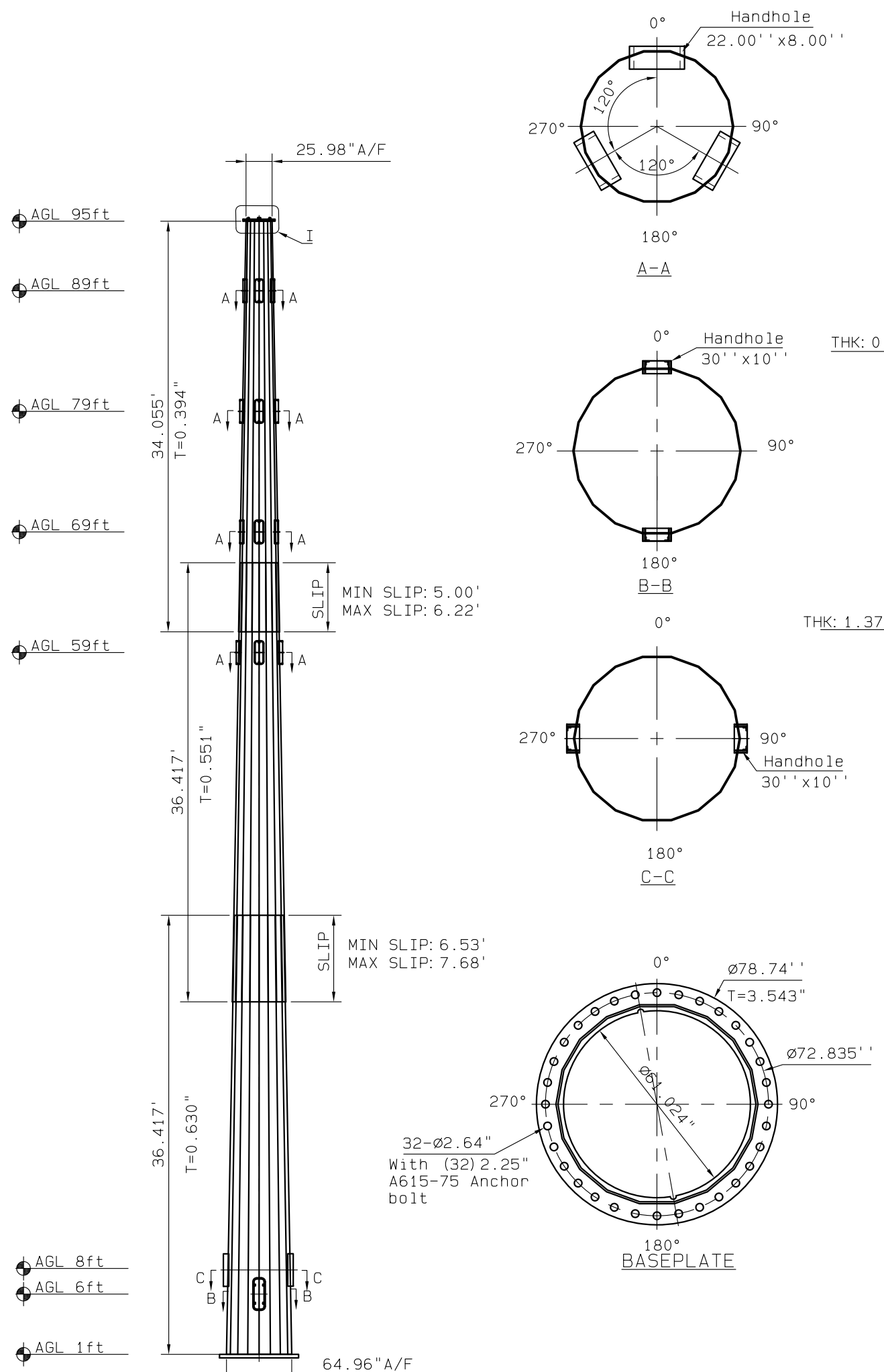
Please refer to separate drawing for step bolts with safety system

Site No.: NY170
Site name: Nelsonville
Site Coordinates: 41.42230556°, -76.941°
Site Address: 15 Rockledge Road, Nelsonville, NY

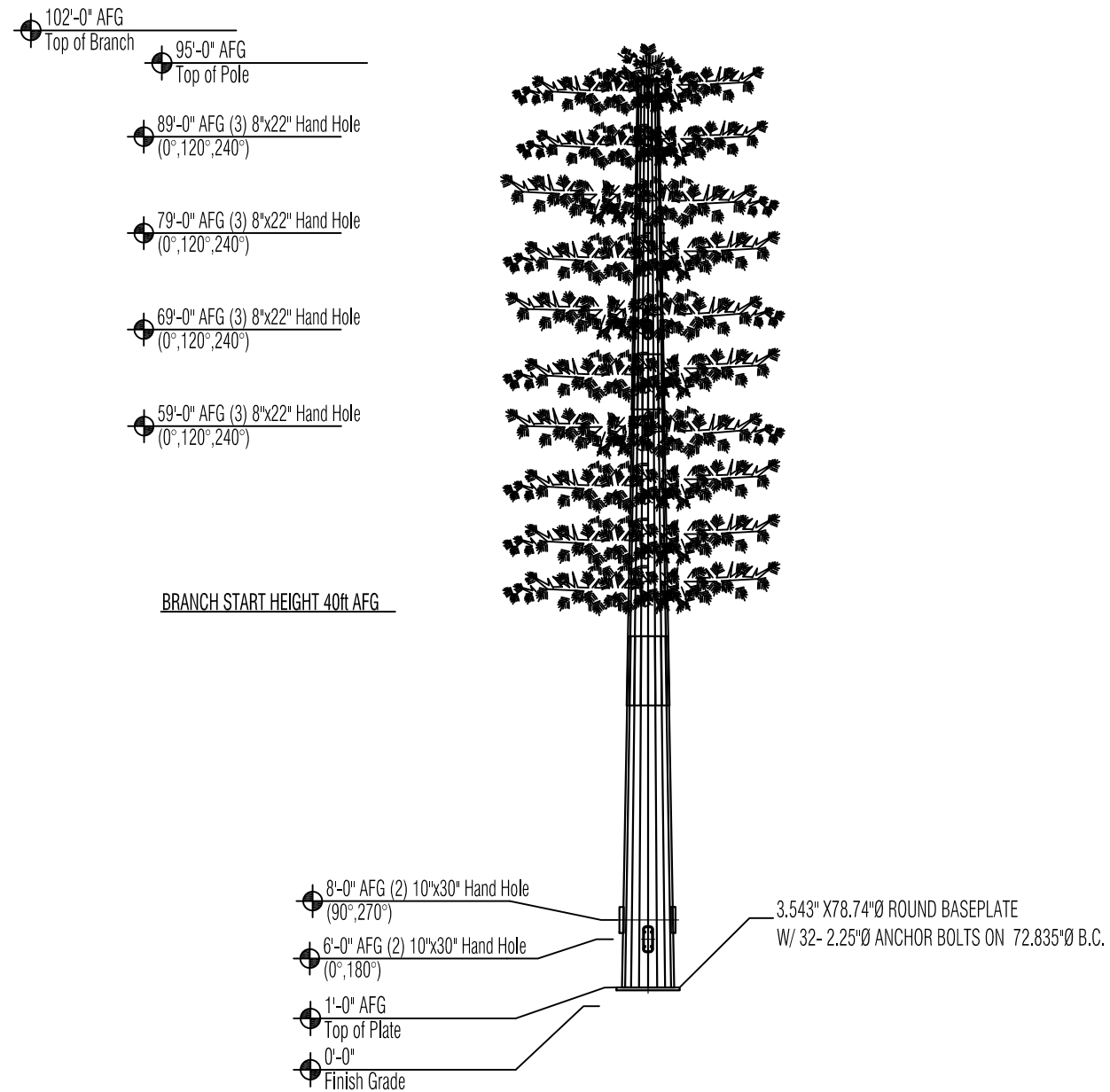
5	Safety Device	TBD
4	Step Bolts	1
3	Handhole 22.00'x8.00'	12
2	Hand Hole 30'x10'	4
1	Pole	1

NO	PART NO.	DESCRIPTION	WEIGHT	QTY
		AMBOR Ambor Structures		
		amborstructures.com		
CLIENT		Insite		
TITLE		95ft 100mph.Pine		

DRAWN	JW	2020.3.16	MATERIAL		MANUFACTURING ORDER
ENGR	ZHJ	2020.3.16	THK (mm)		
CHECKED	ZHJ	2020.3.16	WT (kg)		
REV ID	DATE	REVISION DESCRIPTION	SPECIFICATIONS	SCALE	VERSION: A

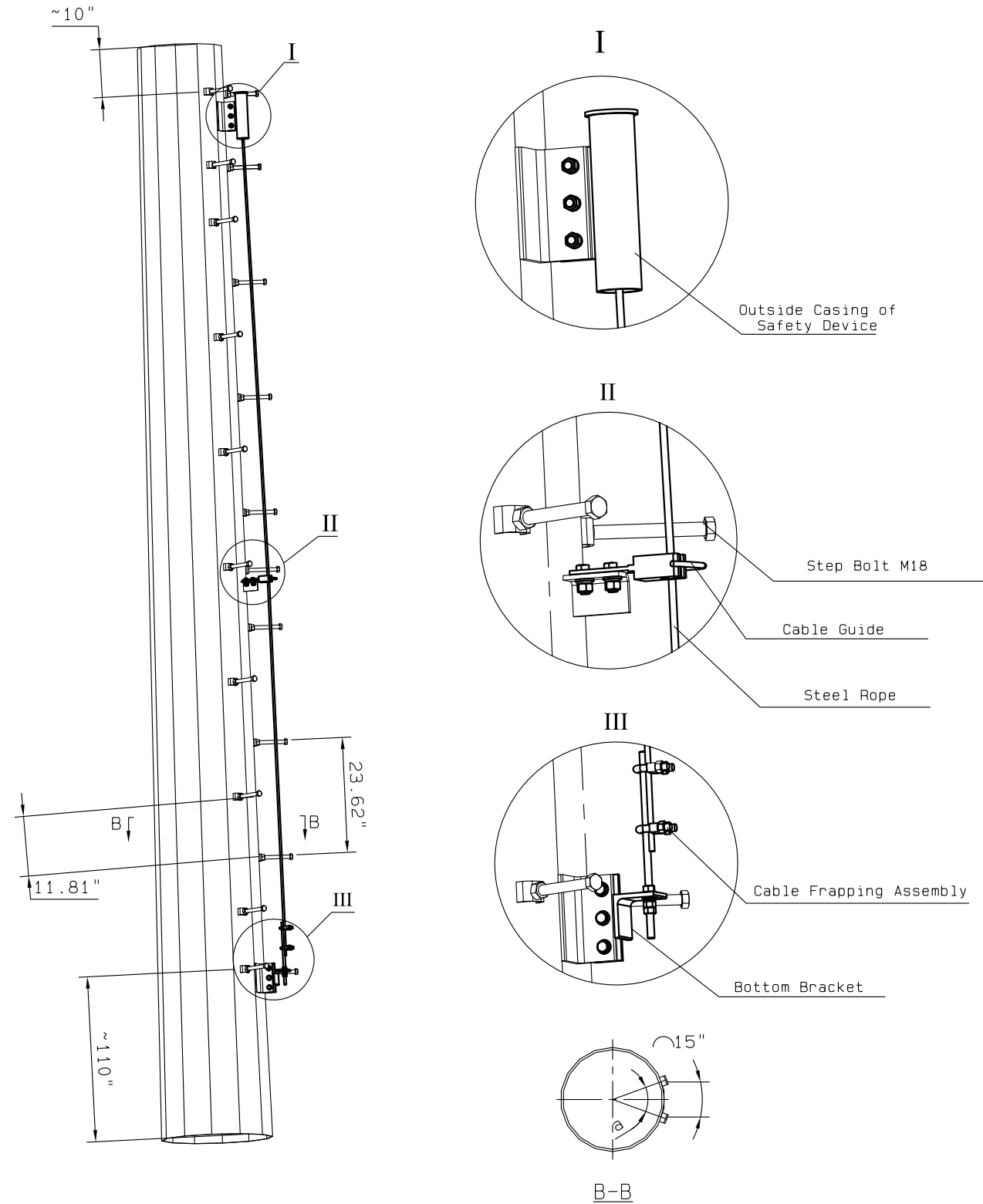


*AGL stands for Above ground line



NOTE: BRANCHES AND BRANCH RECEIVERS DESIGN BY OTHERS

		上海安伯工业设备有限公司 Shanghai Ambor Manufacturing Ltd. www.ambor.cn			
		CLIENT	Insite		
TITLE		Branch for 95ft 100mph Pine			
DRAWN	JW	2020.3.16	MATERIAL		MANUFACTURING ORDER
ENGR	ZHJ	2020.3.16	THK (mm)		
CHECKED	ZHJ	2020.3.16	WT (kg)		
REV ID	DATE	REVISION DESCRIPTION	SPECIFICATIONS	SCALE	VERSION: A



Note:

1. Arc length between two sides step bolt brackets is around 15". The angle "a" will be no bigger than 120°
2. Vertical distance between two step bolts on same side is around 23.62"
3. Vertical distance between two step bolts on different sides is around 11.81"
4. All fasteners will be with metric unit per Chinese standard GB 5783/5782.

Site No.: NY170
 Site name: Nelsonville
 Site Coordinates: 41.42230556°, -76.941°

Site Address: 15 Rockledge Road, Nelsonville, NY

AMBOR		上海安伯工业设备有限公司 Shanghai Ambor Manufacturing Ltd. www.ambor.cn	
CLIENT		Vertical Bridge	
TITLE		Step Bolts with Safety System	
DRAWN	HY	2020.03.10	MATERIAL
ENGR			THK (mm)
CHECKED			WT (kg)
REV ID	DATE	REVISION DESCRIPTION	SPECIFICATIONS
			SCALE
			VERSION: A
			MANUFACTURING ORDER